

CONCEALED
HINGE



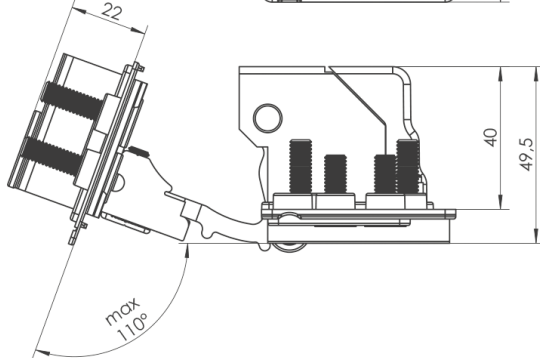
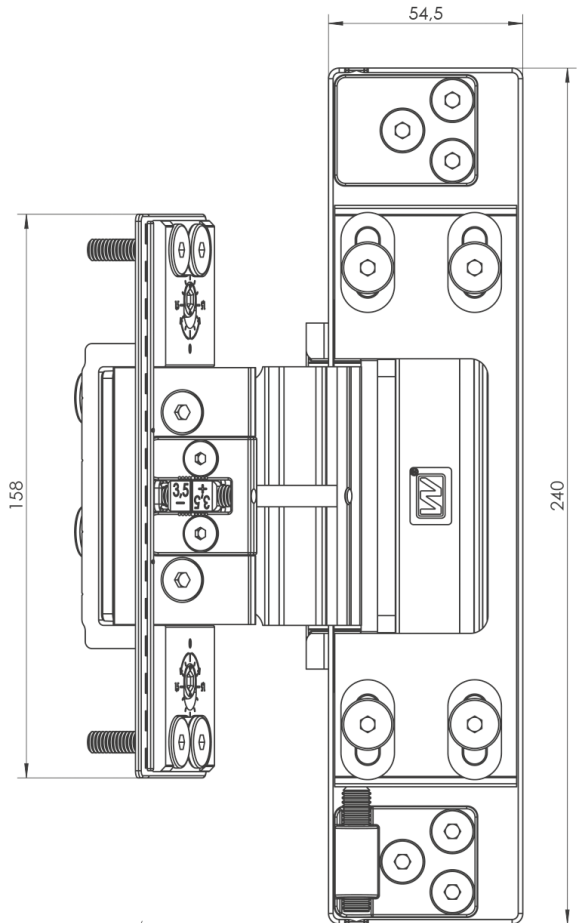


CONCEALED
HINGE
WU



CONCEALED HINGES WU

- SILVER ANODE
- INOX COATING
- BLACK



CONCEALED HINGES WU

FOR USE IN EMERGENCY EXIT DOORS

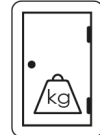
**WU HINGE CLASSIFICATION
EN 1935:2002 + EN 1935:2002/AC:2003**



4/4 - SERVICE CLESSES



7/7 - DURABILITY



7/7 - WEIGHT OF TEST DOOR



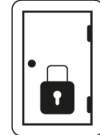
0/1 - FIRE RESISTANCE



1/1 - SECURITY



4/4 - CORROSION RESISTANCE



1/1 - INTRUSION PROTECTION

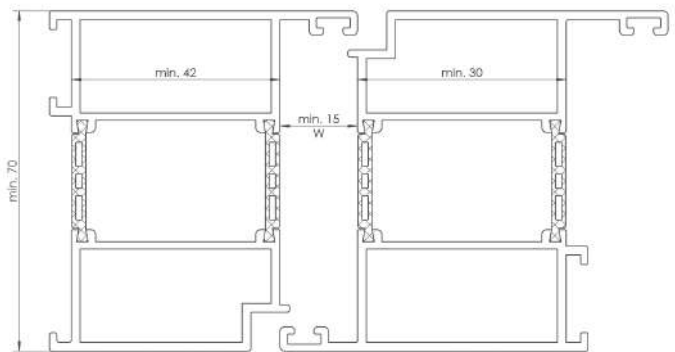


14/14 - HINGE CLASS

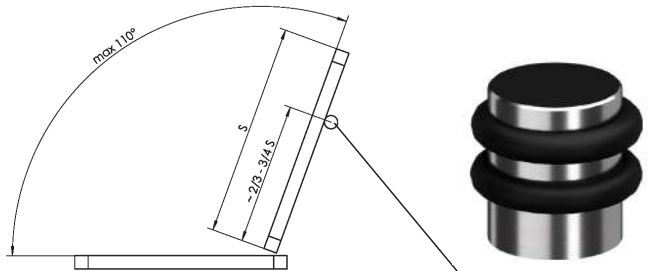


CONCEALED HINGES WU

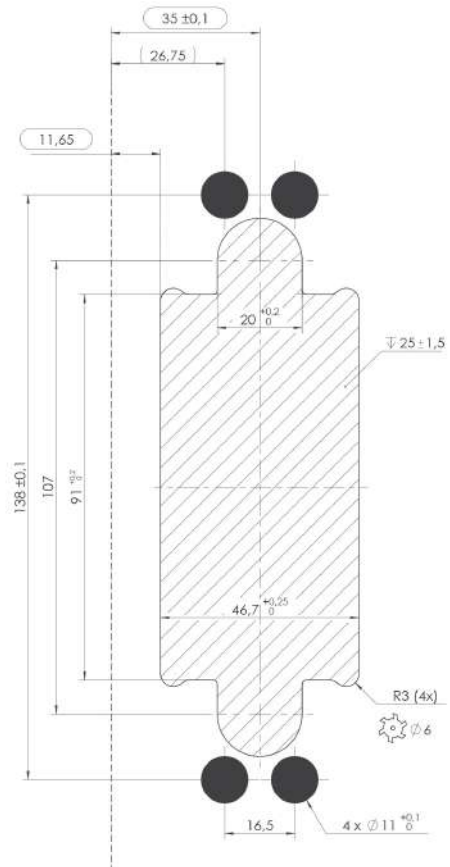
REQUIREMENTS



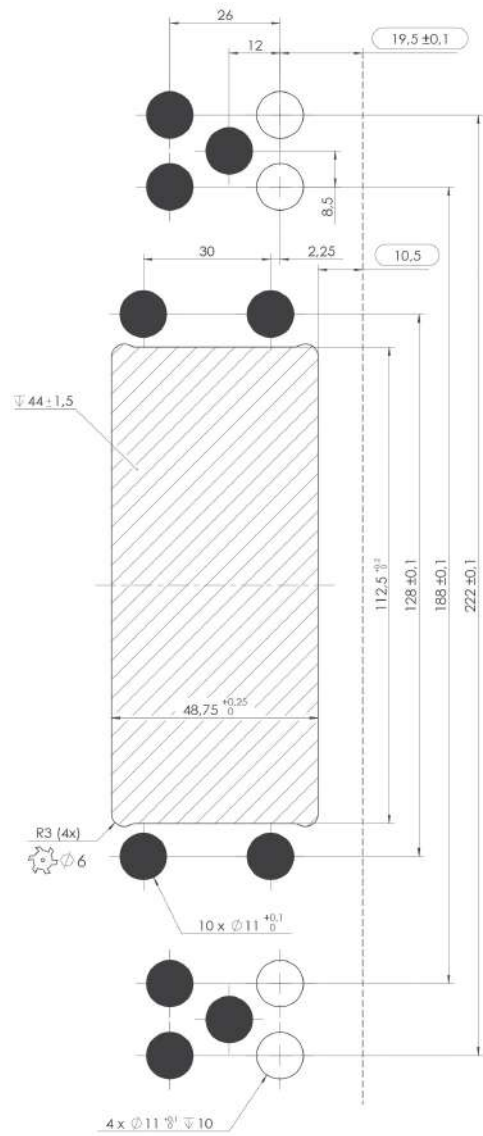
DOORSTOP MUST BE USED EG - WST-3



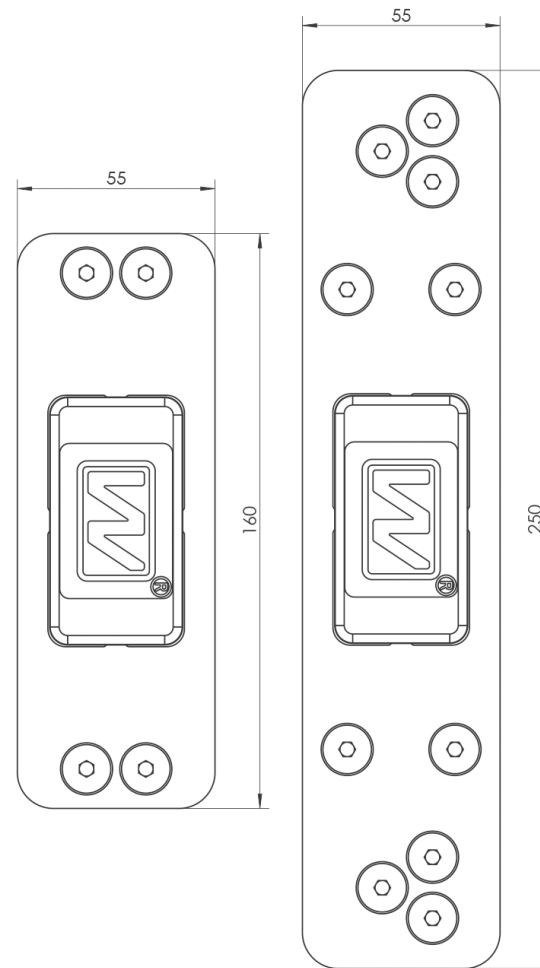
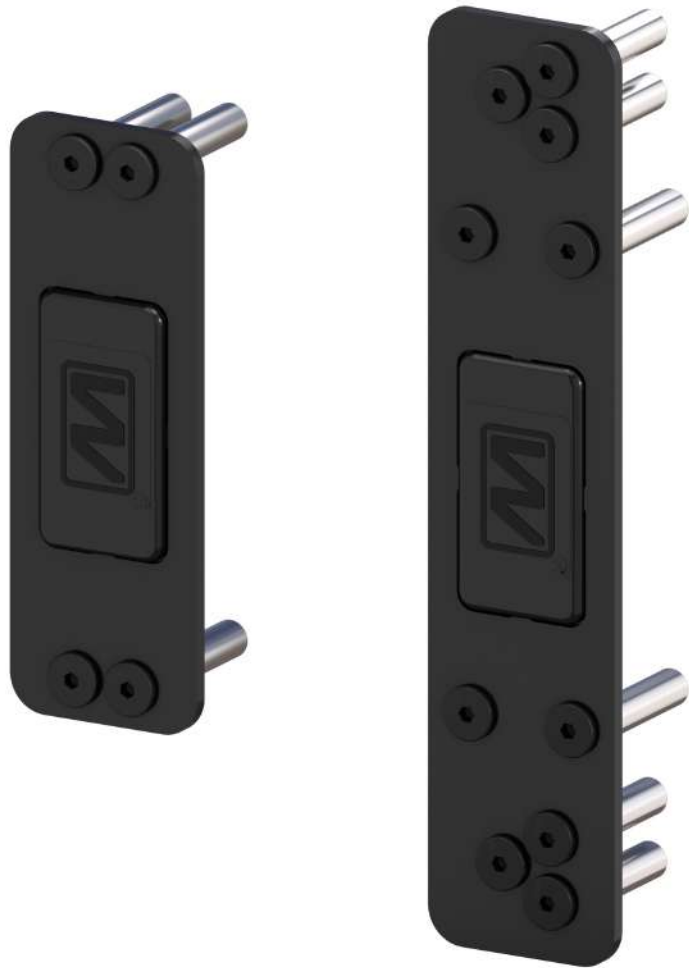
LASH PROFILE PROCESSING



FRAME PROFILE PROCESSING




MOUNTING SET FOR CONCEALED HINGES WU




LOAD SELECTION WU


If the distance between hinges in the middle of a door exceeds 1500mm, we suggest using additional hinge which caulks the door.



Private building



Door closer



Public building

W S	700	800	900	1000	1100	1200	1300	1400
2000				140	130	120	110	100
2100				150	140	130	120	110
2200					150	140	130	120
2300				150		140	130	120
2400					150	150	140	130
2500				150			150	150
2600					150	150		
2700				150			150	150
2800					150	150		
2900				150			150	150
3000					150	150		

W S	700	800	900	1000	1100	1200	1300	1400
2000				120	110	100	90	80
2100				130	120	110	100	90
2200					130	120	110	100
2300				130		130	110	100
2400					130		130	120
2500				130		130		130
2600					130		130	
do				130		130		130
3000					130		130	

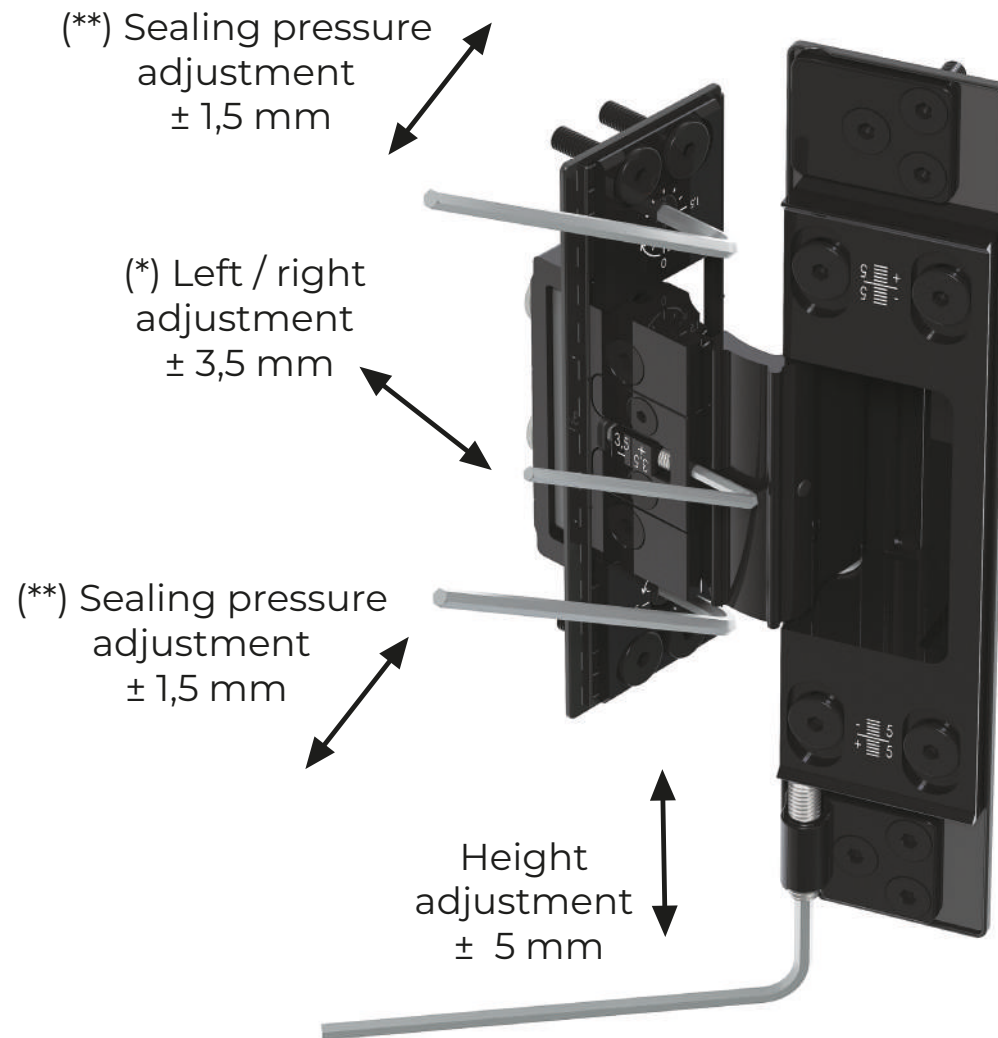
W S	700	800	900	1000	1100	1200	1300	1400
2000				200	190	180	170	160
2100				210	200	190	180	170
2200					210	200	190	180
2300				210		210	190	190
2400					210		210	200
2500				210		210		210
2600					210		210	
do				210		210		210
3000					210		210	

W S	700	800	900	1000	1100	1200	1300	1400
2000				140	130	120	110	100
2100				150	140	130	120	110
2200					150	140	130	120
2300				150		140	130	120
2400					150	150	140	130
2500				150			150	150
2600					150	150		
2700				150			150	150
2800					150	150		
2900				150			150	150
3000					150	150		

W S	700	800	900	1000	1100	1200	1300	1400
2000				170	160	150	140	130
2100				180	170	160	150	140
2200					180	170	160	150
2300				180		170	160	150
2400					180	180	170	160
2500				180			180	170
2600					180	180		180
2700				180			180	
2800					180	180		180
2900				180			180	
3000					180	180		180



ADJUSTMENT FOR CONCEALED HINGES WU

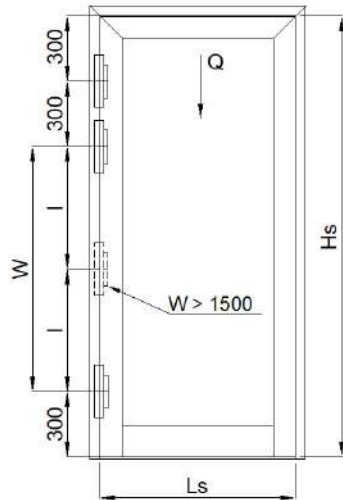
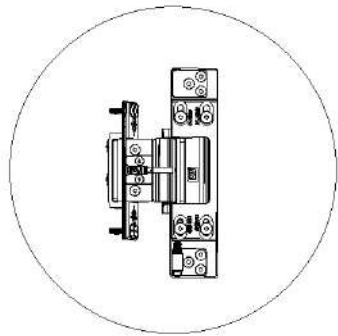


(*) – adjustment in the negative direction can be very limited depending on aluminium system

(**) – actual range can differ due to the gap value at the seal, depending on aluminium system



PATTERNS FOR DRILLING WU



	LASH PROFILE	LASH PROFILE	FRAME PROFILE	FRAME PROFILE	DISTANCE
WU					
WUT					





WALA Sp. z o.o.
ul. Parkowa 16
43-365 Wilkowice

wala@wala.pl
tel. +48 33 82 72 390
kom. +48 725 70 80 30
www.wala.pl

